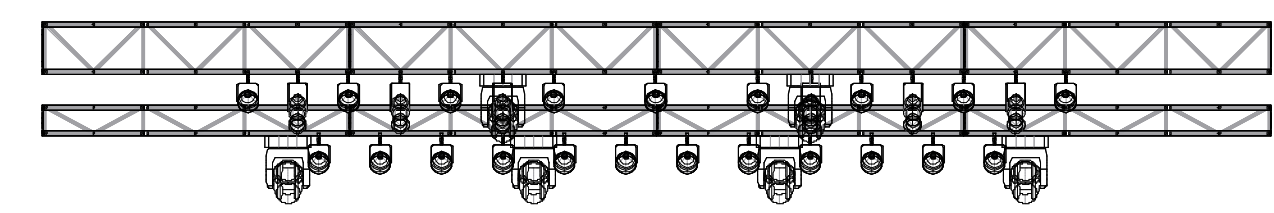
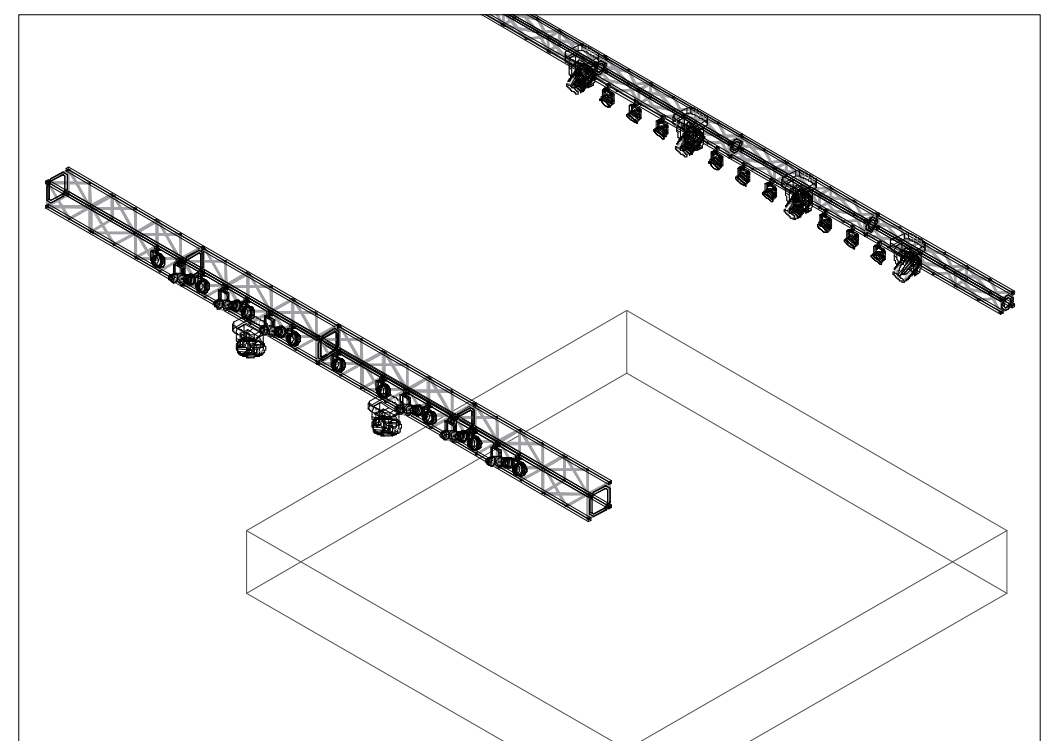
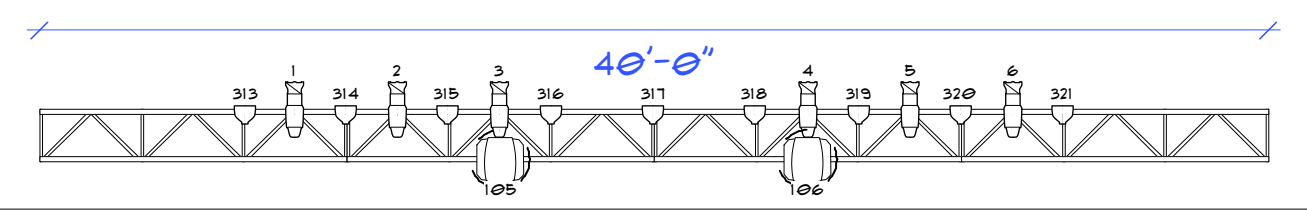
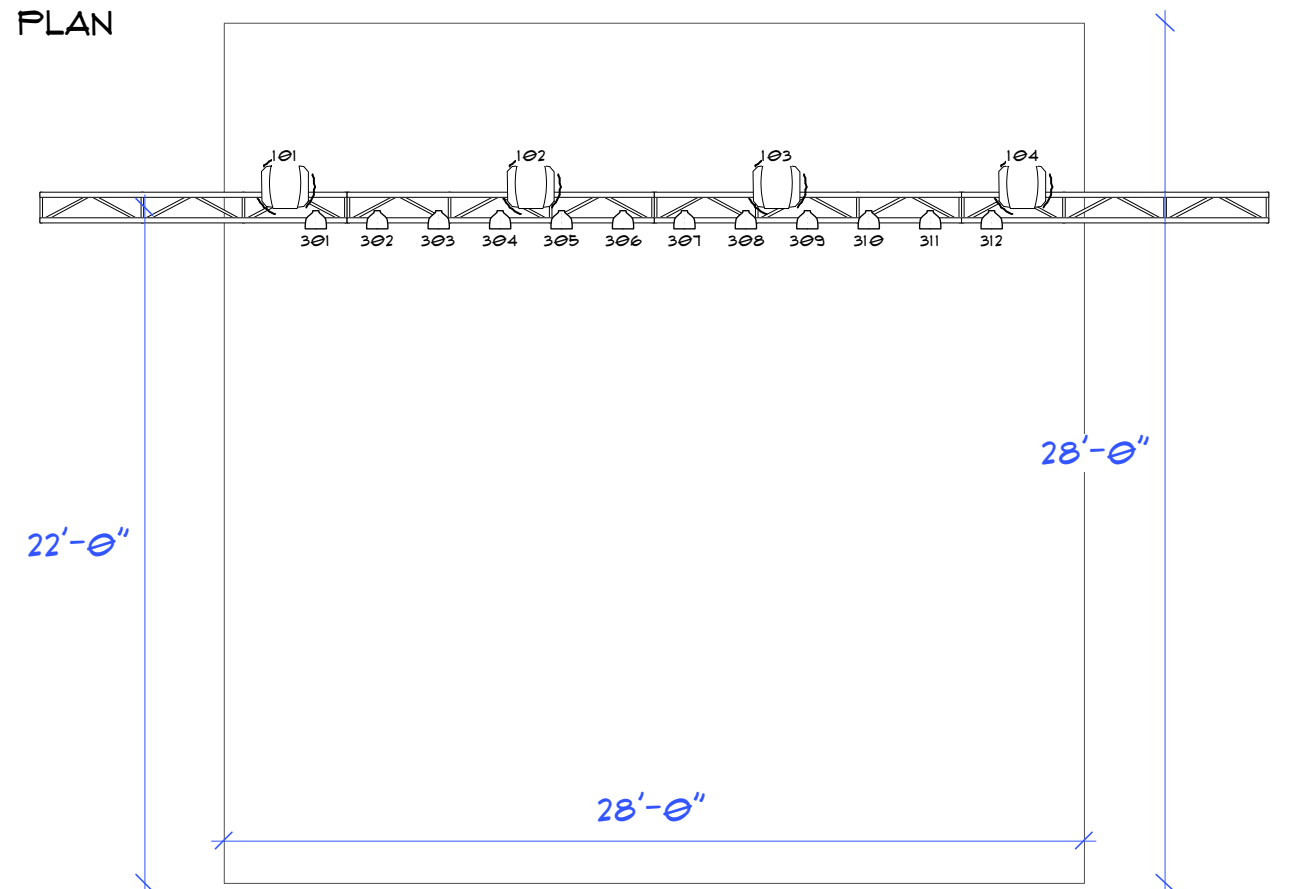
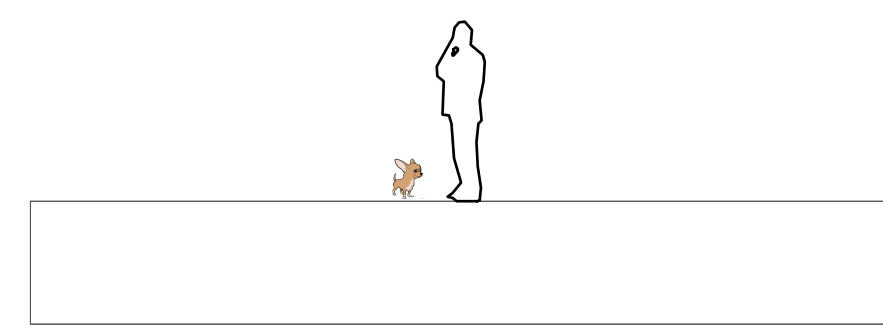


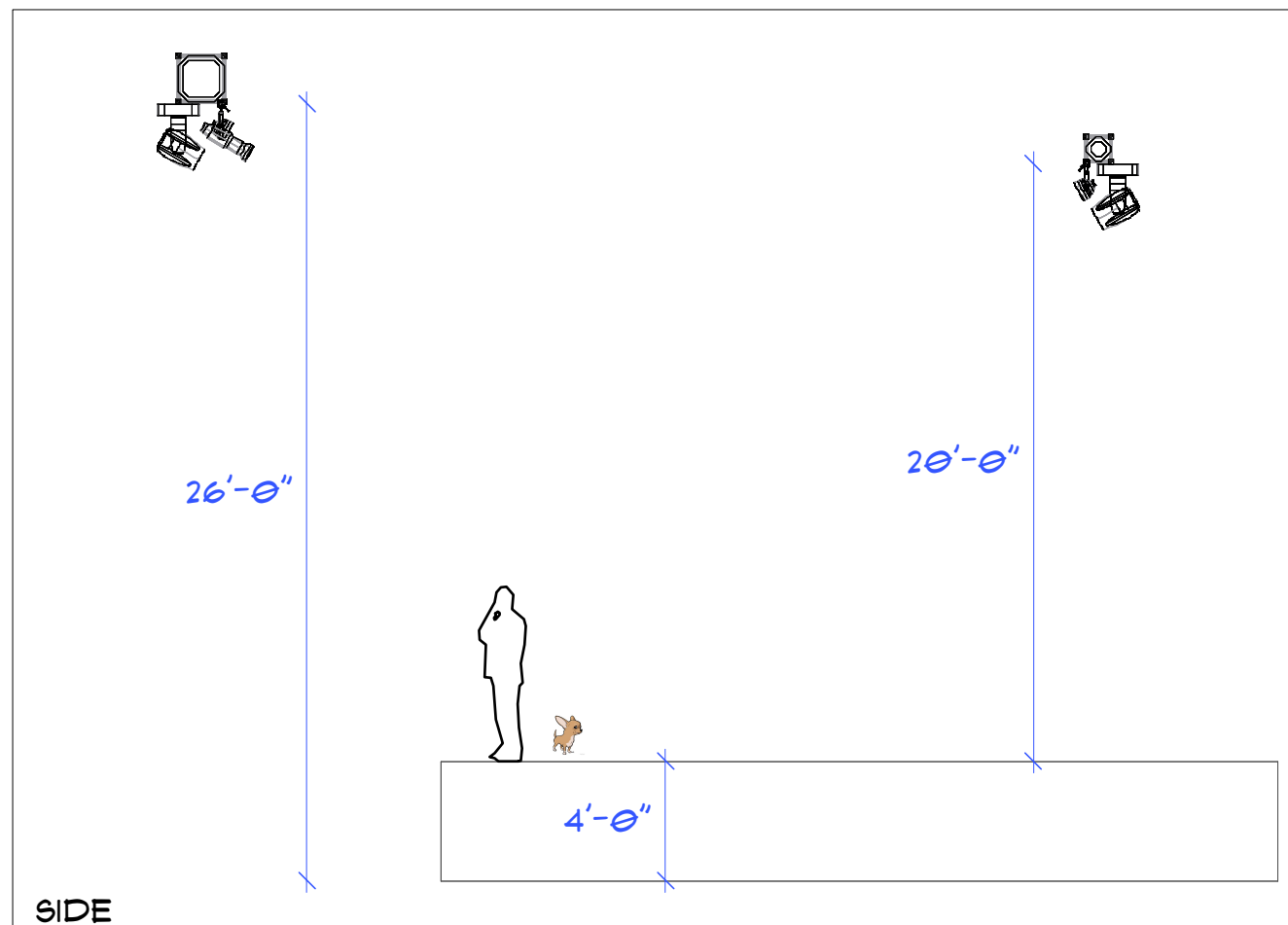
PLAN



FRONT



SIDE



THIS DRAWING AND THE IDEAS, ARRANGEMENT, DESIGNS, AND PLANS INDICATED HEREON OR REPRESENTED HEREBY ARE OWNED BY AND REMAIN THE EXCLUSIVE PROPERTY OF FELIX LIGHTING, INC. THIS DOCUMENT AND DESIGN MAY NOT BE COPIED, PRODUCED, DISTRIBUTED, MARKETED, OR SOLD IN WHOLE OR IN PART WITHOUT EXPRESS WRITTEN CONSENT OF FELIX LIGHTING, INC. THIS DRAWING REPRESENTS VISUAL CONCEPTS AND CONSTRUCTION SUGGESTIONS ONLY. THE DESIGNER IS UNQUALIFIED TO DETERMINE STRUCTURAL APPROPRIATENESS OF THIS DESIGN AND WILL NOT ASSUME RESPONSIBILITY FOR IMPROPER ENGINEERING, CONSTRUCTION, RIGGING, HANDLING, OR USE OF THIS DESIGN.

PROJECT:
HOUSE RIG

VIEW:
OVERALL

SHOW DATE:

VENUE:
FONDA THEATER

DRAWN BY:
BRIAN KAROL

VERSION:
2/17/16
V1 AS OF 4:28:20 PM

SCALE:
11X17

DRAWING BORN:
2/17/16

PLATE:
1 OF 1

SYMBOL KEY

	VLX WASH	6
	RGBA LED PAR	21
	ETC SOURCE 4 26	6
	KOBE	1

- GENERAL NOTES
- DIMMERS IN UNIVERSE 2
 - CH 41- FONDA GOBO
CH 42- HOUSE CHANDI
 - DS TRUSS TO DSE- 21'
 - HOUSE DESK- HOG 3
FULL BOAR

